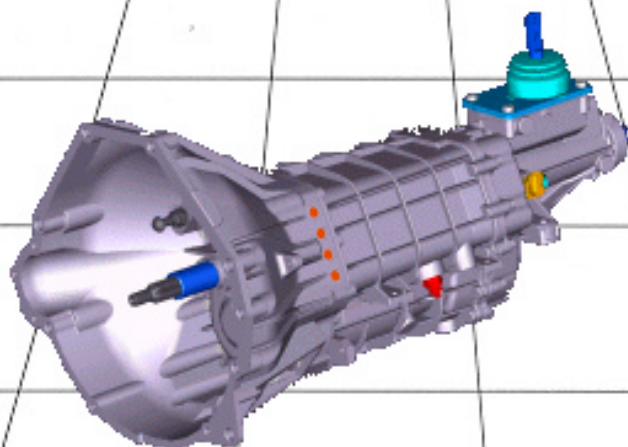


SPICER

TREMEC
M/R

SPICER DIVISION TRANSMISIONES
TRANSMISIONES Y EQUIPOS MECANICOS
S.A. DE C.V.



TRANSMISSION

MODEL

TR-3650

5 SPEED BOX

Replacement Parts Catalog for Automotive Manual Transmissions

TREMEC
M/R

PLANT AND GENERAL OFFICES

AV. 5 DE FEBRERO No. 2115 C.P. 76120, QUERETARO, QRO. TEL. (42) 11-73-00 FAX: (42) 11-73-41

INDEX

QUICK REFERENCE GUIDE GUIA RAPIDA PARA LOCALIZAR No. DE PARTE _____	2
TRANSMISSION TR-3650 EXPLOSIVE EXPLOSIVO TRANSMISION TR-3650 _____	4
VEHICLES USING TRANSMISSION MODEL TR-3650 VEHÍCULOS QUE USAN CAJA DE 5 VEL. TR-3650 _____	5
PRIMARY GEAR PARTS GROUP GRUPO PRIMARIO DE PARTES DE ENGRANES _____	6
SECONDARY GEAR PARTS GROUP GRUPO SECUNDARIO DE PARTES DE ENGRANES _____	8
TRANSMISSION CASE PARTS GROUP GRUPO DE PARTES CAJA TRANSMISIÓN _____	10
CONTROL COVER PARTS GROUP GRUPO DE PARTES DE CONTROL _____	12
GENERAL SPECIFICACIONES ESPECIFICACIONES GENERALES _____	14
SERIES GEAR RATIOS RELACION DE ENGRANES _____	15
OVER HAUL KIT JUEGOS DE REPARACION _____	16
VARIABLE PARTS GROUP GRUPO DE PARTES VARIABLES _____	18

QUICK REFERENCE GUIDE

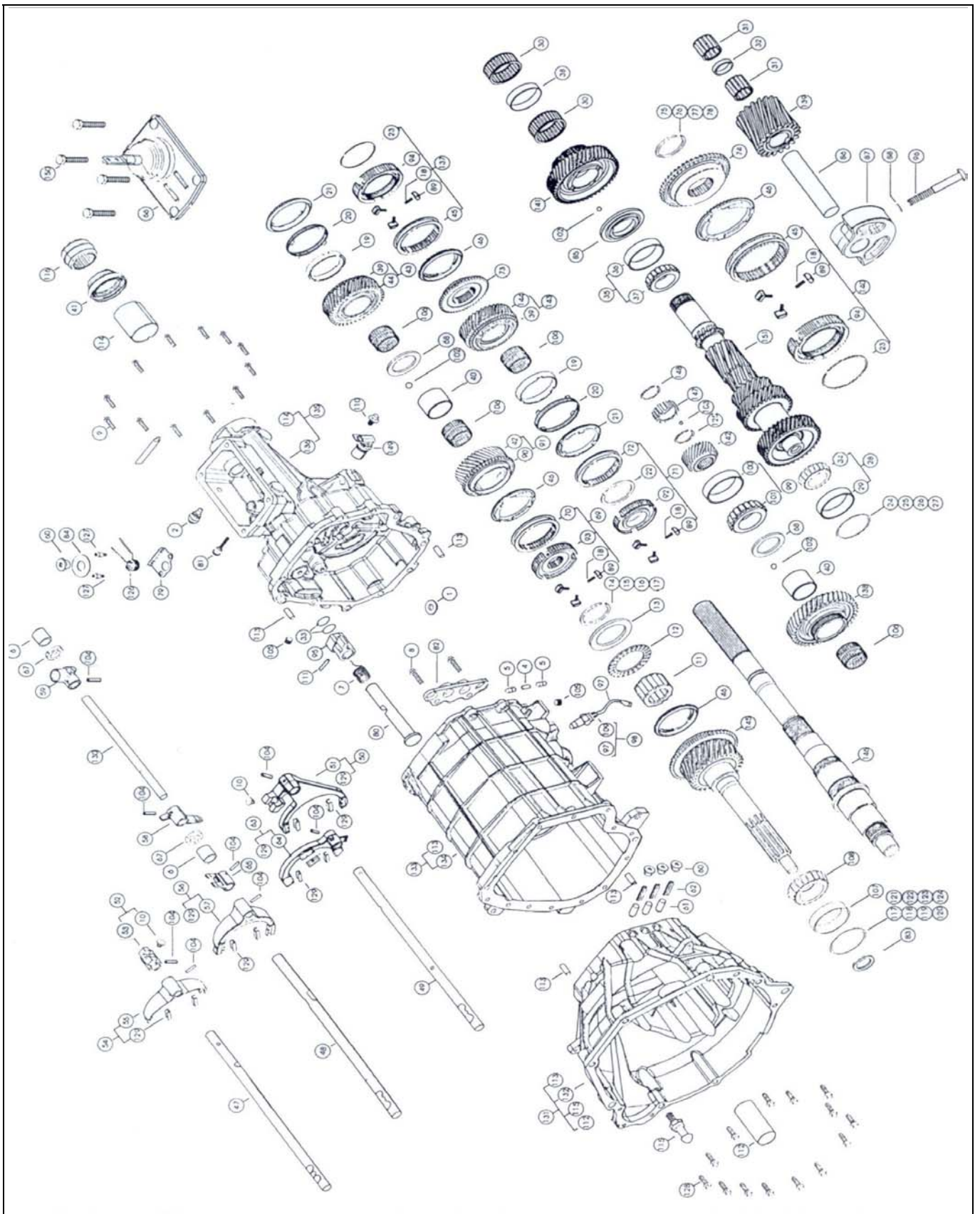
No. PART	DESCRIPTION	PAGINE	No. PART	DESCRIPTION	PAGINE
TCTN0613	BOLT METRIC HEX WASHER HD	11	TCEC1307	REVERSE FORK SHIFT-- ASS'Y	13
TCTN0614	BOLT METRIC HEX WASHER HD	11	TCHR1308	REVERSE FORK SHIFT	13
TCNS0627	NYLON STOP	13	TCTP1309	3rd. & 4th. GATE	13
TCBA0653	BEARING INPUT SHAFT POCKET	7	TCEC1310	SHIFTER LEVER ASS'Y	11
TCBA0655	THRUST BEARING ASS'Y	7	TCSP1311	SPACER FONT	13
TCRA0656	THRUST WASHER SHAFT PILOTED	7	TCRA1314	THRUST WASHER 3rd. GEAR & REV.	7
TCMS0658	SNAP RING 2.30+/-0.05 MM AS REQ.	7& 9	TCES1315	3rd. & 4th. SYNCHRONIZER ASS'Y	7
TCMS0659	SNAP RING 2.40+/-0.05 MM AS REQ.	7& 9	TCCL1316	3rd. & 4th. SLEEVE	USE: TCES1315
TCMS0660	SNAP RING 2.50+/-0.05 MM AS REQ.	7& 9	TCES1317	1st. & 2nd. SYNCHRONIZER ASS'Y	7
TCMS0661	SNAP RING 2.60+/-0.05 MM AS REQ.	7& 9	TCCL1319	1st. & 2nd. SLEEVE	USE: TCES1317
TCRE0664	SPRING SYNCHRONIZER	7& 9	TCES1320	SYNCHRONIZER ASS'Y REV. GEAR	7
TCAS0673	1st. & 2nd. INNER RING	7	TCCN1322	REVERSE CLUTCH CONE	7
TCAS0674	BLOCKER RING & LINING ASSY 1st. & 2nd.	7	TCCN1323	CLUTCH CONE 5th. SPEED. C.S.	9
TCAS0675	1st. & 2nd. BLOCKER RING	7	TCMS1382	SNAP RING 2.40 MM	9
TCMS0679	SNAP RING HUB SYNCHRO 1st. & 2nd.	7	TCMS1383	SNAP RING 2.50 MM	9
TCMS0686	SNAP RING STOP INSERT	7& 9	TCMS1384	SNAP RING 2.60 MM	9
TCMS0695	BEARING SHIM C.S. AS REQ.	9	TCMS1385	SNAP RING 2.30 MM	9
TCMS0696	BEARING SHIM C.S. AS REQ.	9	TCPA1403	SPRING BASE TURRET	11
TCMS0697	BEARING SHIM C.S. AS REQ.	9	TCBR1404	RAIL REVERSE INHIBITOR	11
TCMS0698	BEARING SHIM C.S. AS REQ.	9	TCTN1407	PIN INHIBITOR RETAINER BAR	11
TCBA0699	BEARING CONE & CUP ASS'Y C.S.	9	TCPT1427	INTERLOCK SUPPORT	11
TCBA0700	CUP BEARING	USE: TCBA0699	TCSJ1428	OIL SEAL BEARING RETAINER	7
TCBA0715	ROLLER BEARING GEAR 5th. C.S.	9	TCRA1429	WASHER SPRING RETENTION	11
TCBA0721	ROLLER BEARING GEAR REV. IDLER	9	TCEN1432	GEAR REVERSE M.S.	7
TCSP0722	SPACER ROLLER BEARING GEAR REV.	9	TCRA1433	THRUST WASHER 5th. GEAR C.S.	9
TCSJ0725	O'RING INHIBITOR	11	TCBR1434	REVERSE SHAFT RAIL	9
TCBA0767	CONE BEARING	USE: TCBA0699	TCPT1436	REVERSE SUPPORT SHAFT	9
TCBA0776	BEARING CONE & CUP ASS'Y REAR C.S.	9	TCSJ1437	O'RING	9
TCBA0777	CUP BEARING REAR C.S.	USE: TCBA0699	TCNS1438	INSERT SYNCHRONIZER	7& 9
TCBA0778	CONE BEARING REAR C.S.	USE: TCBA0699	TCCN1461	3rd. CLUTCH CONE	USE: TCEE1462
TCSP0781	SPACER ROLLER BEARING 5th. C.S.	9	TCEE1462	3 rd . GEAR SPEED ASS'Y M.S.	7
TCEN0784	REVERSE IDLER GEAR	9	TCMZ1533	1st. & 2nd. HUB SYNCHRO	USE: TCES1317
TCCN1025	1st. & 2nd. CLUTCH CONE	USE: TCEE1621	TCMZ1534	3rd. & 4th. HUB SYNCHRO	USE: TCES1315
TCEE1088	1st. GEAR SPEED ASS'Y M.S.	7	TCMZ1535	5th. & REV. HUB SYNCHRO	USE: ASS'Y
TCEN1089	1st. GEAR SPEED M.S.	USE: TCEE1088	TCTP1633	INHIBITOR REVERSE	11
TCSP1249	BUSHING 3rd. GEAR & REV.	7	TCEN1650	5th. GEAR C.S. REL. 0.67	9
TCEP1268	CLUTCH HOUSING ASS'Y	11	TCEN1651	5th. GEAR SPEED. M.S. REL.0.67	9
TCCM1269	CLUTCH HOUSING	USE: TCEP1268	TCCF1652	CLUSTER GEAR	9
TCEP1270	TRANSMISSION CASE ASS'Y	11	TCTN1653	BOLT M8X1.25X60 TORX BOTTON H.	9
TCCA1271	TRANSMISSION CASE	USE: TCEP1270	TCMS1727	CLIP CONN	USE: TCEM1728
TCEP1272	EXTENSION ASS'Y	11	TCEN1728	SWITCH ASS'Y & CLIP	11
TCEX1273	EXTENSION	USE: TCEP1272	TCBA1765	BEARING CONE & CUP ASS'Y MAIN S.	7
TCFP1275	MAIN SHAFT	7	TCEN1785	5th. GEAR C.S. REL. 0.62	9
TCEV1276	SPEEDOMETER ROTOR GEAR	7	TCES1786	SYNCHRO. ASS'Y 5th. GEAR REL.062	9
TCSJ1277	OIL SEAL EXTENSION	11	TCEN1787	5th. GEAR SPEED. M.S. REL. 0.62	9
TCFM1279	INPUT SNAFT	7	TCHR1845	REVERSE FORK SHIFT	USE: TCEC1307
TCEN1281	3rd. GEAR SPEED. M.S.	USE: TCEE1462	TCEE1846	1st. GEAR SPEED ASS'Y M.S.	7
TCEE1282	2nd. GEAR SPEED. ASS'Y M.S.	7	TCEN1847	1st. GEAR SPEED M.S.	USE: TCEE1846
TCEN1283	2nd. GEAR SPEED. M.S.	USE: TCEE1282	TCCF1848	CLUSTER GEAR	9
TCES1285	SYNCHRONIZER ASS'Y 5th. GEAR R 0.67	9	TCEN1849	GEAR REVERSE M.S.	7
TCCL1287	5th. & REVERSE SLEEVE	USE: ASS'Y	TCEN1850	REVERSE IDLER GEAR	9
TCAS1289	BLOCKER RING 3rd./4th./5th & REVERSE	7& 9	TCEP1859	CLUTCH HOUSING ASS'Y	11
TCBR1290	1st. & 2nd. SHIFT RAIL	13	TCCM1860	CLUTCH HOUSING	USE: TCEP1859
TCBR1291	3rd. & 4 th. SHIFT RAIL	13	TCEP1864	EXTENSION ASS'Y	11
TCBR1292	5th. & REV. SHIFT RAIL	13	TCEX1865	EXTENSION	USE: TCEP1864
TCEC1293	5th. FORK SHIFT ASS'Y	13	TCBR1866	SELECTOR RAIL	13
TCHR1294	5th. FORK SHIFT	USE: TCEC1293	TCTN1867	BOLT METRIC HEX. WASHER HEAD	11
TCEC1295	1st. & 2nd. GATE ASS'Y	13	TCFP1869	MAIN SHAFT	7
TCTP1296	1st. & 2nd. GATE	USE: TCEC1295	TCES1882	SYNCHRONIZER ASS'Y REV. GEAR	7
TCEC1297	1st. & 2nd. FORK SHIFT ASS'Y	13	TCBA1896	BEARING ROLLER CUP	USE: TCBA1765
TCHR1298	1st. & 2nd. FORK SHIFT	USE: TCEC1297	TCBA1897	BEARING CONE	USE: TCBA1765
TCEC1299	3th. & 4th. FORK SHIFT ASS'Y	13	TCEC1962	SHIFTER LEVER ASS'Y	11
TCHR1300	3th. & 4th. FORK SHIFT	USE: TCEC1299			
TCBR1301	SELECTOR RAIL	13			
TCTP1302	ARM SELECTOR INHIBITOR	13			
TCTP1303	SEAT SELECTOR GATE	13			
TCTA1304	DETENT PLUG	11			
TCSP1305	DETENT	11 & 13			
TCRE1306	ACTUATING SPRING	11			

QUICK REFERENCE GUIDE

No. PART	DESCRIPTION	PAGE		No. PART	DESCRIPTION	PAGE

PARTS CARRY OVER WITH OTHER MODEL

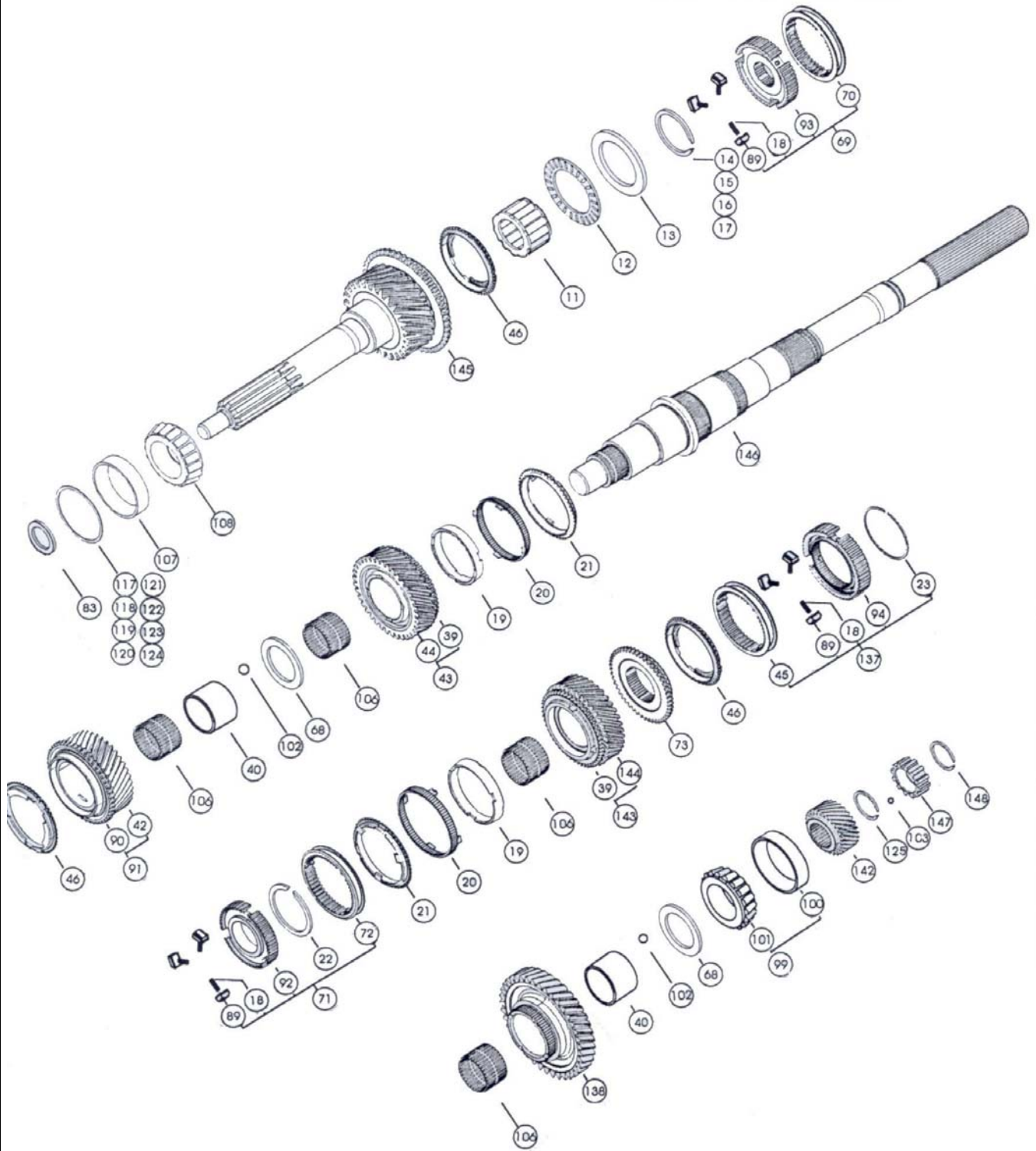
2124715	BREATHER	11		4915	MAGNET	11
2604502	SNAP RING SPEEDOMETER	7		1000-043-016	ROLL PIN	13
2604737	TAG IDENTIFICATION	13		1300-052-007	DRAIN PLUG & FILLER PLUG	11
2604832	CENTER INTERLOCK PIN	11		1300-132-009	2nd. & 3rd. NEEDLE BEARING ASS'Y	7
2604895	SHIFTER INTERLOCK	11		1300-133-005	BEARING TAPERED ROLLER CUP	7
2605858	ROLLER BEARING SELECTOR ARM	13		1300-133-006	BEARING TAPERED ROLLER CONE	7
2606156	SPRING INHIBITOR	11		1300-140-012	SWITCH BACKUP LAMP	USE: TCEM1728
10J00006	BALL	7 & 9		1300-183-038	CAP SCREW HEX HEAD SENSOR	11
10J000008	BALL SPEEDOMETER	7		1300-244-006	OIL DEXRON III	15
ET-M99	ATF MOBIL 1	15		1332-043-004	ROLL PIN	
				1351-183-001	BOLT METRIC HEX. WASHER HEAD	11
				1381-034-001	TUB RETAINER BEARING	11
				1381-043-001	DOWEL PIN	11
				1381-127-002	BUSHING EXTENSION HOUSING	11
				1381-146-001	STUD CLUTCH RELEASE LEVER	11
				1386-016-002	SEAL OUTPUT SPLINE	11
				1386-037-005	BEARING SHIM 0.55 +/- 0.013 MM	11
				1386-037-006	BEARING SHIM 0.61 +/- 0.013 MM	7
				1386-037-007	BEARING SHIM 0.66 +/- 0.013 MM	7
				1386-037-008	BEARING SHIM 0.71 +/- 0.013 MM	7
				1386-037-009	BEARING SHIM 0.76 +/- 0.013 MM	7
				1386-037-012	BEARING SHIM 0.86 +/- 0.013 MM	7
				1386-037-016	BEARING SHIM 0.96 +/- 0.013 MM	7
				1386-037-019	BEARING SHIM 1.04 +/- 0.013 MM	7
				1386-139-001	SNAP RING	7
				1386-156-014	SPRING CENTERING SHIFT CONTROL	7
				1386-183-002	BOLT SHOULDER	11
				1386-183-004	BOLT METRIC HEX. WASHER HEAD	11
				1386-235-001	PAD SHIFT FORK	11
				4400-640-019	SENSOR SPEEDOMETER	13



VEHICLES USING TRANSMISSION MODEL TR-3650, 5 SPEED
VEHICULOS QUE USAN CAJAS DE VELOCIDADES MODELO TR-3650

VEHICULO VEHICLE	2001	2002	2003	2004	2005
FORD MOTOR CO.					
MUSTANG GT	TCET1265 TR-3650	TCET1789 TR3650-3 TCET1903 TR3650-4			
TORNADO		TCET1925 TR3650-5			
FALCON BARRA		TCET1858 TR3650-2			

PRIMARY GEAR PARTS GROUP
GRUPO PRIMARIO DE PARTES DE ENGRANES



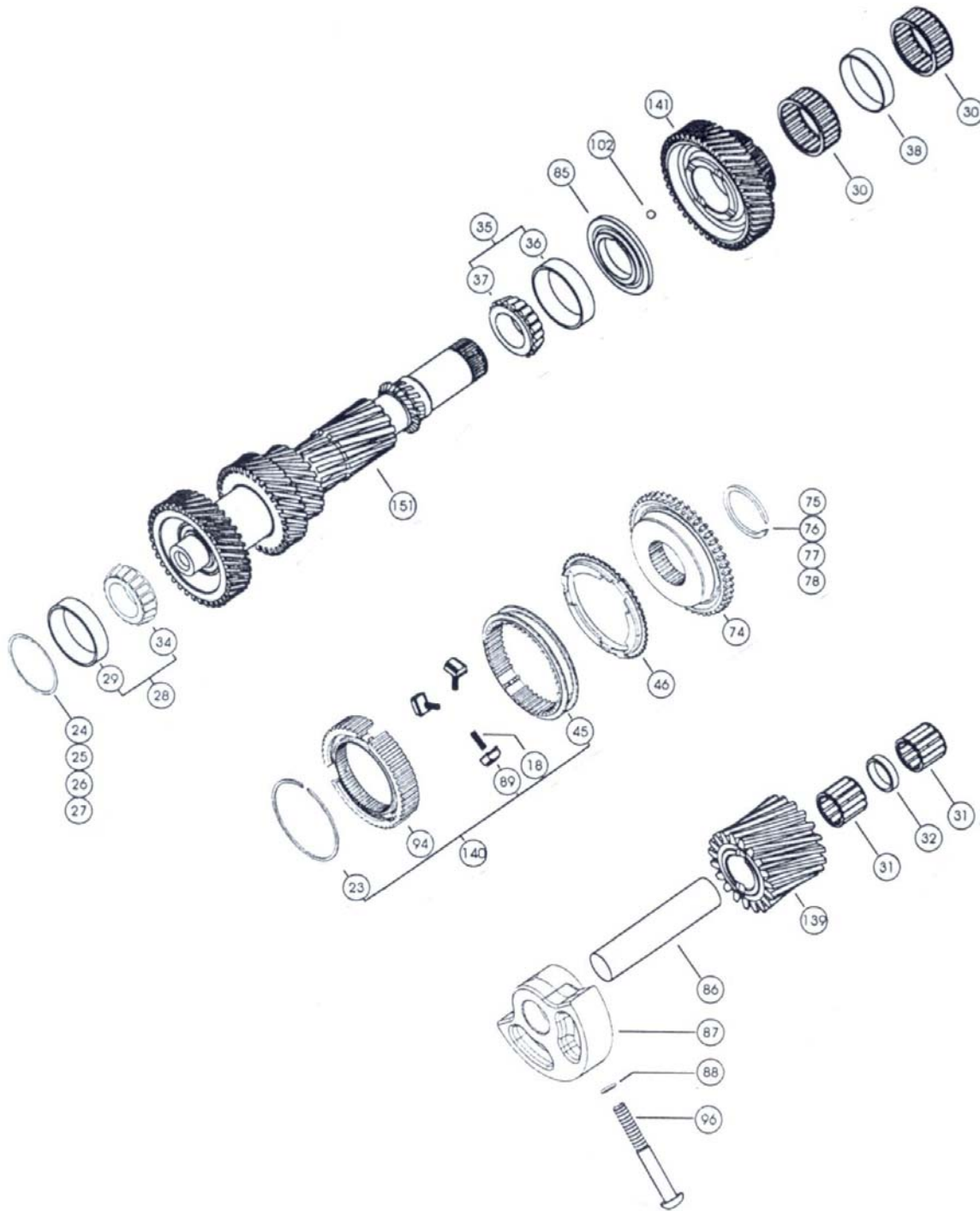
PRIMARY GEAR PARTS GROUP
GRUPO PRIMARIO DE PARTE DE ENGRANES

ITEM No. No. DIBUJO	PART No. No. PARTE	QTY. CANT.	DESCRIPTION DESCRIPCION
11	TCBA0653	1	BEARING INPUT SHAFT POCKET / BALERO DE RODILLOS FLECHA DE MANDO
12	TCBA0655	1	THRUST BEARING / BALERO AXIAL
13	TCRA0656	1	THRUST WASHER SHAFT PILOTED / ROLDANA DE EMPUJE
14	TCMS0658	AR	SNAP RING 2.30+/-0.05 MM /SEGURO AS REQUIRED
15	TCMS0659	AR	SNAP RING 2.40+/-0.05 MM /SEGURO AS REQUIRED
16	TCMS0660	AR	SNAP RING 2.50+/-0.05 MM /SEGURO AS REQUIRED
17	TCMS0661	AR	SNAP RING 2.60+/-0.05 MM /SEGURO AS REQUIRED
18	TCRE0664	9	SPRING SYNCHRONIZER / RESORTE SINCRONIZADOR
19	TCAS0673	2	1 ^{st.} & 2 ^{nd.} BLOCKER RING / ANILLO SINCRONIZADOR 1 ^{a.} -2 ^{a.}
20	TCAS0674	2	1 ^{st.} & 2 ^{nd.} BLOCKER RING & LINING ASS'Y / ANILLO DE FRENADO 1 ^{a.} -2 ^{a.}
21	TCAS0675	2	1 ^{st.} & 2 ^{nd.} BLOCKER RING / ANILLO SINCRONIZADOR
22	TCMS0679	1	1 ^{st.} & 2 ^{nd.} SNAP RING HUB SYNCHRO / SEGURO MAZA SINCRO
23	TCMS0686	1	SNAP RING TOP INSERT / SEGURO TOPE DE LOS INSERTOS
39	TCCN1025	2	1 ^{st.} & 2 ^{nd.} CLUTCH CONE / CONO DE EMBRAGUE
40	TCSP1249	2	BUSHING 3 ^{rd.} GEAR / BUJE ENGRANE DE 3 ^{a.} VELOCIDAD
42	TCEN1281	1	3 ^{rd.} GEAR SPEED M.S. / ENGRANE DE 3 ^{a.} VELOCIDAD
43	TCEE1282	1	2 ^{nd.} GEAR SPEED ASS'Y M.S. / CONJUNTO ENGRANE DE 2 ^{a.} VELOCIDAD
44	TCEN1283	1	2 ^{nd.} GEAR SPEED M.S. / ENGRANE DE 2 ^{a.} VELOCIDAD
45	TCCL1287	1	REVERSE SLEEVE / COLLARIN DE REVERSA
46	TCAS1289	3	BLOCKER RING 3 ^{rd.} / 4 ^{th.} / REVERSE / ANILLO SINCRO DE 3 ^{a.} 4 ^{a.} Y REVERSA
68	TCRA1314	2	THRUST WASHER 3 ^{rd.} GEAR & REVERSE / ROLDANA DE EMPUJE DE 3 ^{a.} Y REV.
69	TCES1315	1	3 ^{rd.} & 4 ^{th.} SYNCHRONIZER ASS'Y / CONJUNTO SINCRONIZADOR DE 3 ^{a.} Y 4 ^{a.}
70	TCCL1316	1	3 ^{rd.} & 4 ^{th.} SLEEVE / COLLARIN DE 3 ^{a.} Y 4 ^{a.}
71	TCES 1317	1	1 ^{st.} & 2 ^{nd.} SYNCHRONIZER ASS'Y / CONJUNTO SINCRONIZADOR DE 1 ^{a.} Y 2 ^{a.}
72	TCCL1319	1	1 ^{st.} & 2 ^{nd.} SLEEVE / COLLARIN DE 1 ^{a.} Y 2 ^{a.}
73	TCCN1322	1	REVERSE CLUTCH CONE / CONO DE EMBRAGUE DE REVERSA
83	TCSJ1428	1	OIL SEAL BEARING RETAINER / SELLO DE ACEITE DEL RETEN BALERO
89	TCNS1438	9	INSERT SYNCHRONIZER / INSERTO SINCRONIZADOR
90	TCCN1461	1	3 ^{rd.} CLUTCH CONE / CONO DE EMBRAGUE ENGRANE DE 3 ^{a.}
91	TCEE1462	1	3 ^{rd.} GEAR SPEED ASS'Y M.S. / CONJUNTO ENGRANE DE 3 ^{a.} VELOCIDAD
92	TCMZ1533	1	1 ^{st.} & 2 ^{nd.} HUB SYNCHRONIZER / MAZA SINCRO. DE 1 ^{a.} Y 2 ^{a.}
93	TCMZ1534	1	3 ^{rd.} & 4 ^{th.} HUB SYNCHRONIZER / MAZA SINCRO. DE 3 ^{a.} Y 4 ^{a.}
94	TCMZ1535	1	REVERSE HUB SYNCHRONIZER / MAZA SINCRO DE REVERSA
99	TCBA1765	1	BEARING CONE & CUP ASS'Y M.S. / CONJUNTO BALERO CONICO
100	TCBA1896	1	BEARING ROLLER CUP / TAZA BALERO
101	TCBA1897	1	BEARING CONE / CONO BALERO CONICO
102	10J00006	2	BALL / ESFERA
103	10J000008	1	BALL SPEEDOMETER / ESFERA DEL VELOCIMETRO
106	1300-132-009	4	2 ^{nd.} & 3 ^{rd.} NEEDLE BEARING ASS'Y / CONJUNTO RODILLO BALERO
107	1300-133-005	1	BEARING TAPERED ROLLER CUP / TAZA BALERO CONICO F.M.
108	1300-133-006	1	BEARING TAPERED ROLLER CONE / CONO BALERO CONICO F.M.
117	1386-037-005	AR	BEARING SHIM 0.55+/-0.013 MM / LAINA DE AJUSTE F.M. AS REQUIRED
118	1386-037-006	AR	BEARING SHIM 0.61+/-0.013 MM / LAINA DE AJUSTE F.M. AS REQUIRED
119	1386-037-007	AR	BEARING SHIM 0.66+/-0.013 MM / LAINA DE AJUSTE F.M. AS REQUIRED
120	1386-037-008	AR	BEARING SHIM 0.71+/-0.013 MM / LAINA DE AJUSTE F.M. AS REQUIRED
121	1386-037-009	AR	BEARING SHIM 0.76+/-0.013 MM / LAINA DE AJUSTE F.M. AS REQUIRED
122	1386-037-012	AR	BEARING SHIM 0.86+/-0.013 MM / LAINA DE AJUSTE F.M. AS REQUIRED
123	1386-037-016	AR	BEARING SHIM 0.96+/-0.013 MM / LAINA DE AJUSTE F.M. AS REQUIRED
124	1386-037-019	AR	BEARING SHIM 1.04+/-0.013 MM / LAINA DE AJUSTE F.M. AS REQUIRED
125	1386-139-001	1	SNAP RING / SEGURO
137	*	1	SYNCHRONIZER ASS'Y REVERSE GEAR / CONJUNTO SINCRONIZADOR DE REVERSA
138	*	1	GEAR REVERSE M.S. / ENGRANE DE REVERSA FLECHA PRINCIPAL
142	*	1	5 ^{th.} GEAR SPEED M.S. / ENGRANE DE 5 ^{a.} VELOCIDAD FLECHA PRINCIPAL
143	*	1	1 ^{st.} GEAR SPEED ASS'Y M.S. / CONJUNTO ENGRANE DE 1 ^{a.} VELOCIDAD
144	*	1	1 ^{st.} GEAR SPEED M.S. / ENGRANE DE 1 ^{a.} VELOCIDAD
145	TCFM1279	1	INPUT SHAFT / FLECHA DE MANDO
146	*	1	MAIN SHAFT / FLECHA PRINCIPAL
147	*	1	SPEEDOMETER ROTOR GEAR / ROTOR VELOCIMETRO
148	*	1	SNAP RING GEAR SPEEDOMETER / SEGURO ENGRANE VELOCIMETRO

●

VER LISTA DE PARTES VARIABLES / SEE VARIABLE PARTS LIST GROUP

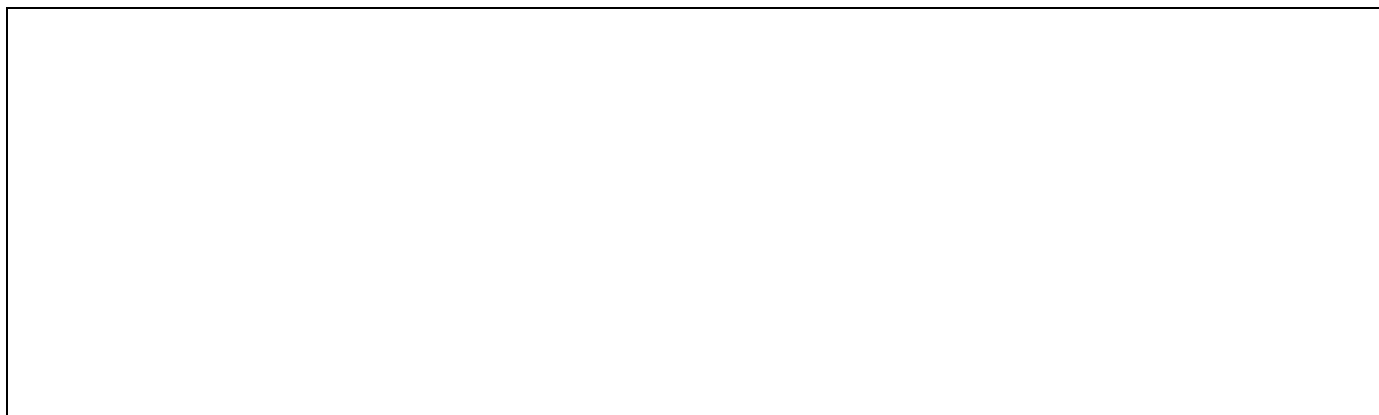
SECONDARY GEAR PARTS GROUP
GRUPO SECUNDARIO DE PARTES DE ENGRANES



SECONDARY GEAR PARTS GROUP
GRUPO SECUNDARIO DE PARTES DE ENGRANES

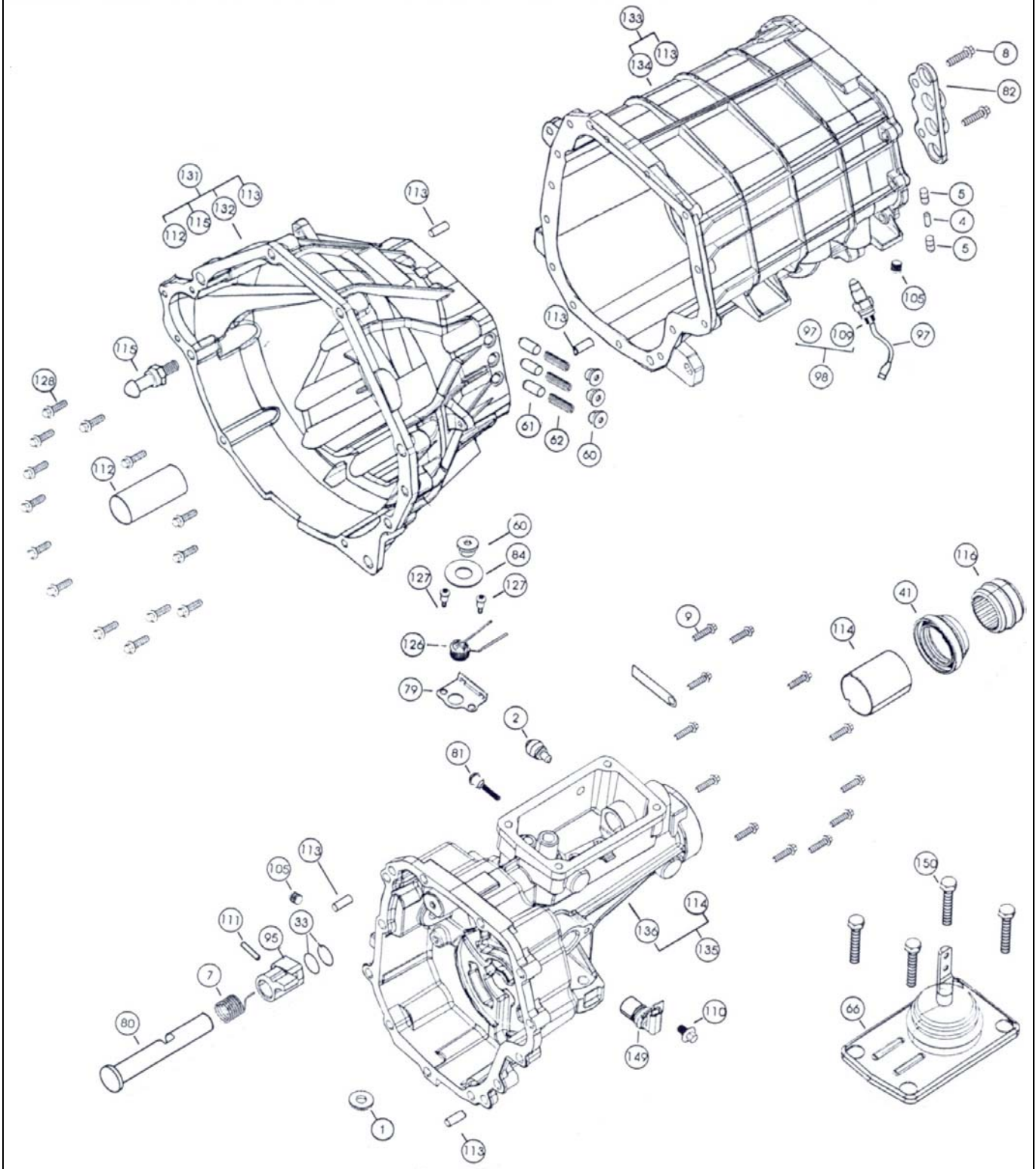
No. DIBUJO ITEM No.	No. PARTE PART No.	CANT. QTY.	DESCRIPTION DESCRIPCION
18	TCRE0664	3	SPRING SYNCHRONIZER / RESORTE SINCRONIZADOR
23	TCMS0686	1	SNAP RING TOP INSERT / SEGURO TOPE DE LOS INSERTOS
24	TCMS0695	AR	BEARING SHIM C.S. / LAINA DE AJUSTE TREN DE ENG. AS REQUIRED
25	TCMS0696	AR	BEARING SHIM C.S. / LAINA DE AJUSTE TREN DE ENG. AS REQUIRED
26	TCMS0697	AR	BEARING SHIM C.S. / LAINA DE AJUSTE TREN DE ENG. AS REQUIRED
27	TCMS0698	AR	BEARING SHIM C.S. / LAINA DE AJUSTE TREN DE ENG. AS REQUIRED
28	TCBA0699	1	BEARING CONE & CUP ASS'Y C.S. / CONJUNTO BALERO TREN DE ENGRANES
29	TCBA0700	1	CUP BEARING / TAZA BALERO
30	TCBA0715	2	ROLLER BEARING GEAR 5 th . C.S. / BALERO DE RODILLOS ENGRANE DE 5 ^a .
31	TCBA0721	2	ROLLER BEARING GEAR REVERSE / BALERO DE RODILLOS ENGRANE DE REVERSA
32	TCSP0722	1	SPACER ROLLER BEARING GEAR REV. / ESPACIADOR DE BALERO DE RODILLOS REV.
34	TCBA0767	1	CONE BEARING / CONO DE BALERO CONICO
35	TCBA0776	1	BEARING CONE & CUP ASS'Y REAR C.S. / CONJUNTO BALERO CONICO TRASERO DEL T.E.
36	TCBA0777	1	CUP BEARING REAR C.S. / TAZA BALERO CONICO TRASERO DEL T.E.
37	TCBA0778	1	CONE BEARING REAR C.S. / CONO BALERO TRASERO DEL T.E.
38	TCSP0781	1	SPACER ROLLER BEARING 5 th . C.S. / ESPACIADOR RODILLO BALERO T.E.
45	TCCL1287	1	5 th . SLEEVE / COLLARIN DE 5 ^a .
46	TCAS1289	1	BLOCKER RING 5 th . / ANILLO SINCRO DE 5 ^a .
74	TCCN1323	1	CLUTCH CONE 5 th . SPEED C.S. / CONO EMBRAGUE DEL ENGRANE DE 5 ^a . T.E.
75	TCMS1382	AR	SNAP RING C.S. 2.40+/-0.05 MM /SEGURO AS REQUIRED
76	TCMS1383	AR	SNAP RING C.S. 2.50+/-0.05 MM /SEGURO AS REQUIRED
77	TCMS1384	AR	SNAP RING C.S. 2.60+/-0.05 MM /SEGURO AS REQUIRED
78	TCMS1385	AR	SNAP RING C.S. 2.30+/-0.05 MM /SEGURO AS REQUIRED
85	TCRA1433	1	THRUST WASHER 5 th . GEAR C.S. / ROLDANA DE EMPUJE ENGRANE DE 5 ^a . T.E.
86	TCBR1434	1	REVERSE SHAFT RAIL / BARRA DEL ENGRANE DE REVERSA
87	TCPT1436	1	REVERSE SUPPORT SHAFT / SOPORTE BARRA DEL ENGRANE DE REVERSA
88	TCSJ1437	1	O'RING / SELLO "O"
89	TCNS1438	3	INSERT SYNCHRONIZER / INSERTO DEL SINCRONIZADOR DE 5 ^a .
94	TCMZ1535	1	5 th . HUB SYNCHRONIZER / MAZA DEL SINCRONIZADOR DE 5 ^a .
96	TCTN1653	1	BOLT M8X1.25X60 TORX BOTTON HEAD / TORNILLO TORX
102	10J00006	1	BALL / ESFERA
139	*	1	REVERSE IDLER GEAR / ENGRANE LOCO DE REVERSA
140	*	1	SYNCHRONIZER ASS'Y 5 th . GEAR C.S. / CONJUNTO SINCRONIZADOR DE 5 ^a . T.E.
141	*	1	5 th . GEAR C.S. / ENGRANE DE 5 ^a . TREN DE ENGRANES
151	*	1	COUNTER SHAFT / TREN DE ENGRANES

* VER LISTA DE PARTES VARIABLES / SEE VARIABLE PARTS LIST GROUP



TRANSMISSION CASE PARTS GROUP

GRUPO DE PARTES CAJA TRANSMISION



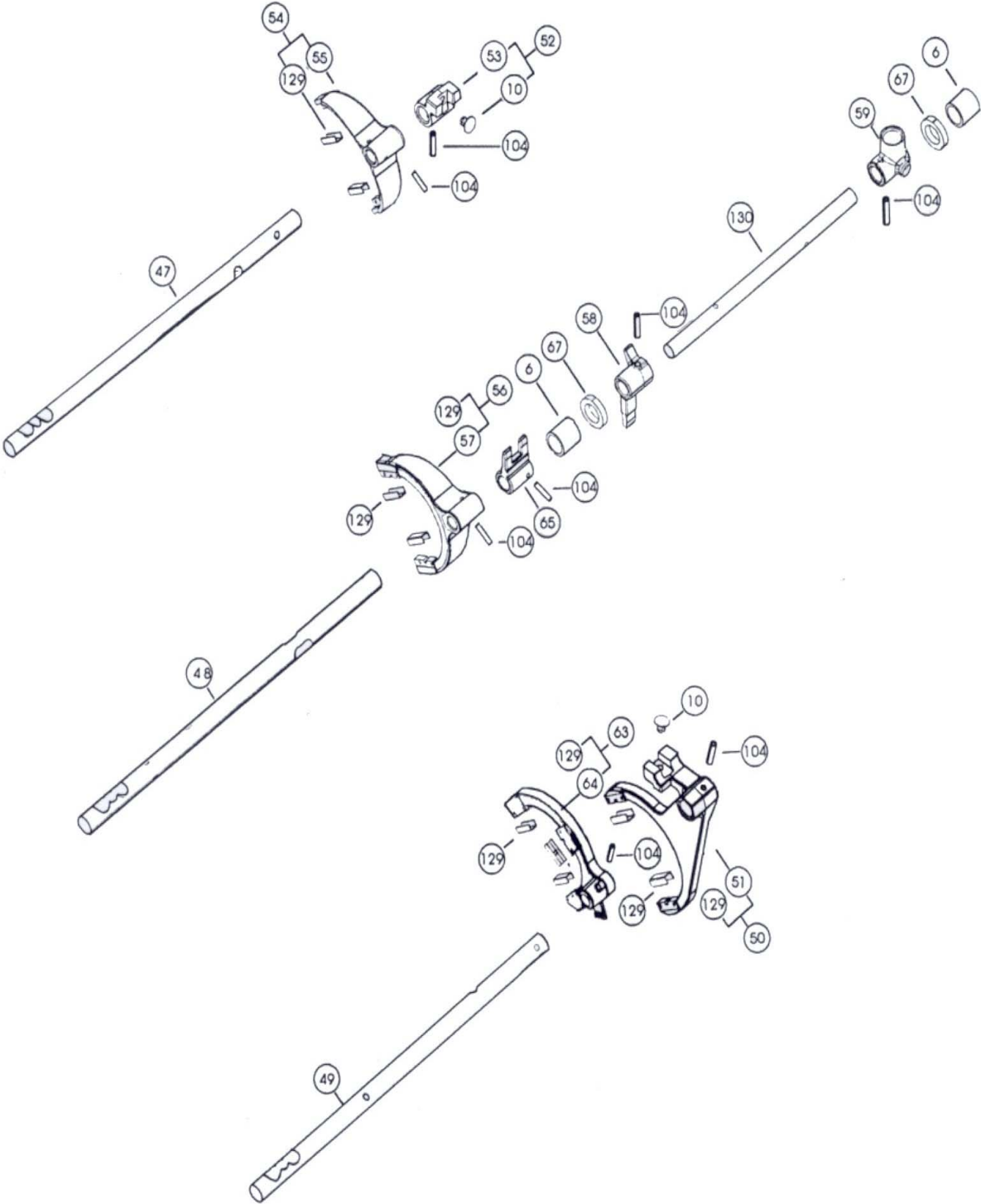
TRANSMISSION CASE PARTS GROUP
GRUPO DE PARTES CAJA TRANSMISION

ITEM No. No. DIBUJO	PART No. No. PARTE	QTY. CANT.	DESCRIPTION DESCRIPCION
1	4915	1	MAGNET / IMAN
2	2124715	1	BREATHER / RESPIRADERO
4	2604832	1	CENTER INTERLOCK PIN / PERNO CERROJO
5	2604895	2	SHIFTER INTERLOCK / EMBOLO CERROJO
7	2606156	1	SPRING INHIBITOR / RESORTE INHIBIDOR
8	TCTN0613	2	BOLT METRIC WASHER HD / TORNILLO METRICO
9	TCTN0614	12	BOLT METRIC WASHER HD / TORNILLO METRICO
33	TCSJ0725	2	O'RING INHIBITOR / ANILLO "O" DEL INHIBIDOR
41	TCSJ1277	1	OIL SEAL EXTENSION / SELLO DE ACEITE DE LA EXTENSION
60	TCTA1304	4	DETENT PLUG / TORNILLO TORK
61	TCSP1305	3	DETENT / BUJE DE ENCASTRE
62	TCRE1306	3	ACTUATING SPRING / RESORTE DE ENCASTRE
66	*	1	SHIFTER LEVER ASS'Y / CONJUNTO PALANCA DE CAMBIOS
79	TCPA1403	1	SPRING BASE TURRET / PLACA BASE DEL RESORTE
80	TGBR1404	1	RAIL REVERSE INHIBITOR / BARRA DEL INHIBIDOR DE REVERSA
81	TCTN1407	1	PIN INHIBITOR RETAINER BAR / TORNILLO SUJETADOR DE BARRA
82	TCPT1427	1	INTERLOCK SUPPORT / SOPORTE DE ENCASTRE
84	TCRA1429	1	WASHER SPRING RETENTION / ROLDANA DEL RESORTE DEL RETEN
95	TCTP1633	1	INHIBITOR REVERSE / INHIBIDOR DE REVERSA
97	TCMS1727	1	CLIP CONN / CLIP
98	TCEM1728	1	SWITCH ASS'Y BACKUP LAMP / CONJUNTO INTERRUPTOR DE REVERSA
105	1300-052-007	2	DRAIN PLUG & FILLER PLUG / TAPON DE LLENADO Y DRENADO
109	1332-140-012	1	SWITCH BACKUP LAMP / INTERRUPTOR DE REVERSA
110	*	1	CAP SCREW HEX HEAD SENSOR / TORNILLO DEL SENSOR
111	1332-043-004	1	ROLL PIN / PERNO SEGURO
112	1381-034-001	1	TUB RETAINER BEARING / TUBO RETEN BALERO
113	1381-043-001	4	DOWEL PIN / PERNO GUIA
114	1381-127-002	1	BUSHING EXTENSION HOUSING / BUJE DE LA EXTENSION
115	1381-146-001	1	STUD CLUTCH RELEASE LEVER / TORNILLO PIVOTE
116	1386-016-002	1	SEAL OUTPUT SPLINE / SELLO ESTRIA FLECHA PRINCIPAL
126	1386-156-014	1	SPRING CENTERING SHIFT CONTROL / RESORTE POSICIONADOR PALANCA CTRL
127	1386-183-002	2	BOLT SHOULDER / TORNILLO DE HOMBRO
128	1386-183-004	14	BOLT METRIC HEX WASHER HEAD / TORNILLO METRICO
131	*	1	CLUTCH HOUSING ASS'Y / CONJUNTO CAMPANA DE EMBRAGUE
132	*	1	CLUTCH HOUSING / CAMPANA DE EMBRAGUE
133	*	1	TRANSMISSION CASE ASS'Y / CONJUNTO CAJA TRANSMISION
134	*	1	TRANSMISSION CASE / CAJA TRANSMISION
135	*	1	EXTENSION ASS'Y / CONJUNTO EXTENSION
136	*	1	EXTENSION / EXTENSION
149	*	1	SENSOR SPEEDOMETER
150	*	4	BOLT METRIC HEX. WASHER HEAD / TORNILLO CON ROLDANA

* VER LISTA DE PARTES VARIABLES / SEE VARIABLE PARTS LIST GROUP



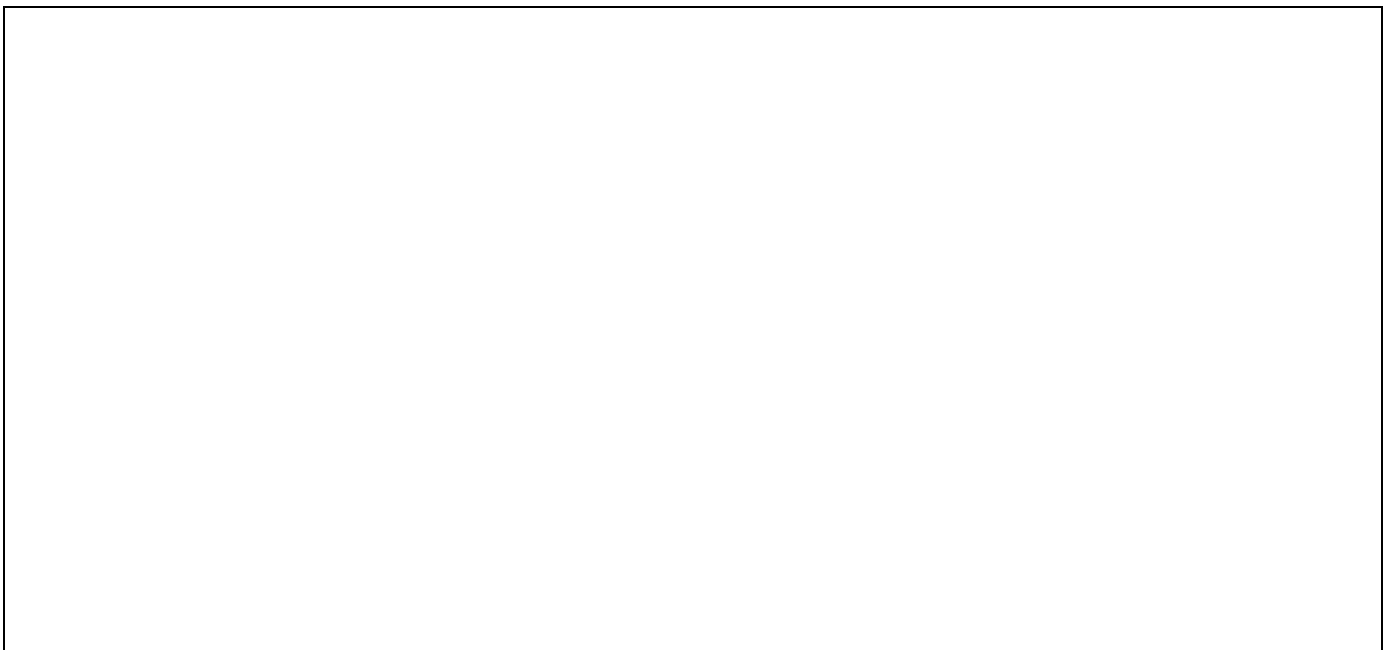
CONTROL PARTS GROUP
GRUPO DE PARTES DE CONTROL



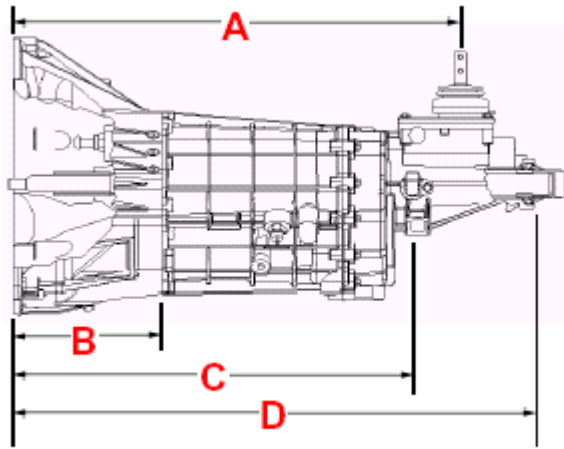
CONTROL GRUOP PARTS
GRUPO PARTES DE CONTROL

No. DIBUJO ITEM No.	No. PARTE PART No.	CANT. QTY.	DESCRIPCION DESCRIPTION
6	2605858	2	ROLLER BEARING SELECTOR ARM / BALERO LINEAL BARRA SELECTORA
10	TCNS0627	2	NYLON STOP / TOPE DE NYLON
47	TGBR1290	1	1 st . & 2 nd . SHIFT RAIL / BARRA DE 1 ^a . Y 2 ^a .
48	TGBR1291	1	3 rd . & 4 th . SHIFT RAIL / BARRA DE 3 ^a . Y 4 ^a .
49	TGBR1292	1	5 th . & REV. SHIFT RAIL / BARRA DE 5 ^a . Y REVERSA
50	TCEC1293	1	5 th . FORK SHIFT ASS'Y / CONJUNTO HORQUILLA DE 5 ^a .
51	TCHR1294	1	5 th . FORK SHIFT / HORQUILLA DE 5 ^a .
52	TCEC1295	1	1 st . & 2 nd . GATE ASS'Y / CONJUNTO TOPE DE 1 ^a . Y 2 ^a .
53	TCTP1296	1	1 st . & 2 nd . GATE / TOPE DE 1 ^a . Y 2 ^a .
54	TCEC1297	1	1 st . & 2 nd . FORK SHIFT ASS'Y / CONJUNTO HORQUILLA DE 1 ^a . Y 2 ^a .
55	TCHR1298	1	1 st . & 2 nd . FORK SHIFT / HORQUILLA DE 1 ^a . Y 2 ^a .
56	TCEC1299	1	3 rd . & 4 th . FORK SHIFT ASS'Y / CONJUNTO HORQUILLA DE 3 ^a . Y 4 ^a .
57	TCHR1300	1	3 rd . & 4 th . FORK SHIFT / HORQUILLA DE 3 ^a . Y 4 ^a .
58	TCTP1302	1	ARM SELECTOR INHIBITOR / SELECTOR DEL INHIBIDOR
59	TCTP1303	1	SEAT SELECTOR GATE / ASIENTO DEL TOPE SELECTOR
63	TCEC1307	1	REVERSE FORK SHIFT ASS'Y / CONJUNTO HORQUILLA DE REVERSA
64	TCHR1308	1	REVERSE FORK SHIFT / HORQUILLA DE REVERSA
65	TCTP1309	1	3 rd . & 4 th . GATE / TOPE DE 3 ^a . Y 4 ^a .
67	TCSP1311	2	SPACER FRONT / ESPACIADOR FRONTAL
104	1000-043-016	8	ROLL PIN / PERNO SEGURO
129	1386-235-001	9	PAD SHIFT FORK / INSERTO DE HORQUILLA
130	*	1	SELECTOR RAIL / BARRA SELECTORA

* VER LISTA DE PARTES VARIABLES / SEE VARIABLE PARTS LIST GROUP



SPECIFICATIONS



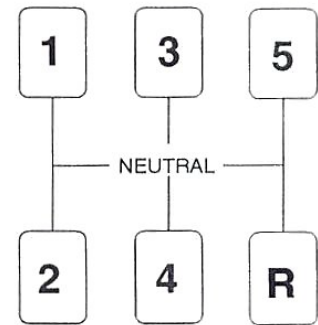
- 1).- TR-3650 3//4/5
- 2).- TR-3650 2

TR-3650 SERIE LAY OUT DIMENSION
DIMENSIONES DE LA SERIE TR-3650

MODEL MODELO	A	B	C	D	E	F
TR-3650 3 / 4 / 5	689.00 mm 27.13 "	230.50 mm 9.07 "	623.00 mm 24.53 "	802.30 mm 31.59 "	78.00 mm 3.07 "	124.50 mm 4.90 "
TR-3650-2	894.00 mm 35.20 "	230.50 mm 9.07 "	758.41 mm 29.86 "	934.36 mm 36.79 "		
MODEL MODELO	G	H	I	J	K	L
TR-3650 3 / 4 / 5	36.415 mm 1.43 "	28.64 mm 1.13 "	16.985 mm 0.67 "	505.50 mm 19.90 "		
TR-3650-2	36.415 mm 1.43 "			505.50 mm 19.90 "		

SPECIFICATIONS

SHIFT PARTERN



PATRON DE CAMBIOS

TR-3650 SERIES GEAR RATIOS												
RELACION DE ENGRANES DE LA SERIE TR-3650												
1 ST .	1 ^a .	2 ND .	2 ^a .	3 RD .	3 ^a .	4 TH .	4 ^a .	5 TH .	5 ^a .	REV.	REV.	MODEL
3.38		2.00		1.32		1.00		0.67		3.38		TR-3650 / TR-3650-2
3.38		2.00		1.32		1.00		0.62		3.38		TR-3650-3 / TR-3650-4 / TR-3650-5

GENERAL SPECIFICATIONS	
ESPECIFICACIONES GENERALES	
CASE OF LENGTH (LONGITUD DE LA CAJA)	31.58"(802.3mm)
WEIGHT (PESO)	119.6 Lb. (54Kgs.)
TYPE OF REVERSE (TIPO DE REVERSA)	CONSTANT MESH SYNCHRONIZER
OIL CAPACITY (CAPACIDAD DE ACEITE) MOBIL 1 SYNTHETIC ATF / DEXRON III	7.96Pt. (3.8 L)

TRANSMISSION MODEL TR-3650, 5 SPEED REPAIR KITS
JUEGOS DE REPARACION PARA CAJAS DE 5 VELOCIDADES MODELO TR-3650

NUMBER	COMPONENT	DESCRIPTION	QTY.
TCKT1741	OVERHAUL KIT / JUEGO DE REPARACION GENERAL		
	TCKT1735	SHIFT TOP SMALL PARTS / JUEGO DE PARTE PEQUEÑAS	1
	TCKT1736	DETENT KIT / JUEGO DE ENCASTRE	1
	TCKT1737	CENTERING SHIFT CONTROL / JUEGO CENTRADO PALANCA DE CAMB.	1
	TCKT1738	SNAP RING AND SMALL PARTS KIT / JUEGO DE SEGUROS	1
	TCKT1739	SHIM KIT / JUEGO DE LAINAS	1
	TCKT1740	BEARING AND SEAL KIT/JUEGO DE BALEROS Y SELLOS	1
TCKT1731	BEARING TAPERED ROLLER KIT / JUEGO BALERO CONICO FLECHA DE MANDO		
	1300-133-005	BEARING TAPERED ROLLER CUP / TAZA BALERO CONICO F.M.	1
	1300-133-006	BEARING TAPERED ROLLER CONE / CONO BALERO CONICO F.M.	1
TCKT1732	1st. & 2nd. SYNCHRONIZER KIT / JUEGO SINCRONIZADOR 1^a. Y 2^a.		
	TCAS0673	1 st . & 2 nd . INNER CONE RING / ANILLO SINCRONIZADOR 1 ^a .-2 ^a . INTERIOR	2
	TCAS0674	1 st . & 2 nd . BLOCKER RING & LINING ASS'Y / ANILLO DE FRENADO. 1 ^a .-2 ^a .	2
	TCAS0675	1 st . & 2 nd . BLOCKER RING / ANILLO SINCRONIZADOR 1 ^a .-2 ^a .	2
TCKT1733	ASS'Y BLOCKER RING KIT 3rd.-4th.-5th. & REV.		
	TCAS1289	BLOCKER RING 3 rd .,4 th . & REVERSE / ANILLO SINCRONIZADOR DE 3a. 4 ^a . Y REV.	2
TCKT1734	ASSY REVERSE IDLER GEAR KIT / JUEGO CONJUNTO ENGRANE LOCO DE REVERSA		
	TCBA0721	ROLLER BEARING GEAR REVERSE / BALERO DE RODILLOS ENGR.REV.	2
	TCSP0722	SPACER ROLLER BRG GEAR REV. / ESPACIADOR DE BAL. RODIL. REV.	1
	TCEN0784	REVERSE IDLER GEAR / ENGRANE LOCO DE REVERSA	1
	TCBR1434	REVERSE SHAFT RAIL / BARRA DEL ENGRANE DE REVERSA	1
	TCPT1436	REVERSE SUPPORT SHAFT / SOPORTE BARRA ENGRANE DE REVER.	1
	TCSJ1437	O'RING / SELLO "O"	1
	TCTN1653	BOLT TORX PLUS / TORNILLO FLECHA DE REVERSA	1
TCKT1735	SHIFT TOP SMALL PARTS / JUEGO DE PARTES PEQUEÑAS		
	2604832	PIN SHIFTER INTERLOCK / PERNO CERROJO	1
	2604895	PLUNGER, SHIFTER INTERLOCK / EMBOLO CERROJO	2
	2606156	SPRING INHIBITOR / RESORTE INHIBIDOR	1
	TCSJ0725	O-RING INHIBITOR / ANILLO "O" DEL INHIBIDOR	2
	TCTA1304	DETENT PLUG / TAPON DE ENCASTRE	4
	TCSP1305	DETENT / BUJE DE ENCASTRE	3
	TCRE1306	ACTUATING SPRING / RESORTE DE ENCASTRE	3
	TCSJ1311	SPACER FRONT / ESPACIADOR FRONTAL	2
	TCBR1404	RAIL REVERSE INHIBITOR / BARRA DEL INHIBIDOR DE REVERSA	1
	TCTN1407	BOLT SUPPORT / TORNILLO SUJETADOR DE BARRA	1
	TCRA1429	WASHER BIAS SPRING / ROLDANA DEL RESORTE DEL RETEN	1
	TCTP1633	INHIBITOR REVERSE / INHIBIDOR DE REVERSA	1
	1000-043-016	ROLL PIN / PERNO SEGURO	8
	1332-043-004	ROLL PIN / PERNO SEGURO	1
	1386-156-014	SPRING CENTERING SHIFT CONTROL / RESORTE POSICIONADOR PAL.	1
TCKT1736	DETENT KIT / JUEGO DE ENCASTRE		
	TCTA1304	DETENT PLUG / TAPON DE ENCASTRE	3
	TCSP1305	DETENT / BUJE DE ENCASTRE	3
	TCRE1306	ACTUATING SPRING / RESORTE DE ENCASTRE	3
TCKT1737	CENTERING SHIFT CONTROL / JUEGO CENTRADO DE LA PALANCA DE CAMBIOS		
	TCTA1304	DETENT PLUG / TAPON DE ENCASTRE	3
	TCPA1403	SPRING BASE TURRET / PLACA BASE DEL RESORTE	1
	TCRA1429	WASHER SPRING RETENTION / ROLDANA DEL RESORTE DEL RETEN	1
	1386-156-014	SPRING CENTERING SHIFT CONTROL / RESORTE POSICIONADOR PAL.	1
	1386-183-002	BOLT PLATE SUPPORT SHOULDER / TORNILLO DE HOMBRO	2
TCKT1887	ASS'Y SYNCHRONIZER & 5th GEAR / JUEGO SINCRONIZADOR DE 5^a. VEL. REL (0.67)		
	TCEN1285	SYNCHRONIZER ASS'Y 5 th . GEAR C.S. / CONJUNTO SINCRONIZADOR DE 5 ^a . T.E	1
	TCAS1289	BLOCKER RING 3 rd .,4 th . & REVERSE / ANILLO SINCRONIZADOR DE 3a. 4 ^a . Y REV.	1
	TCCN1323	CLUTCH CONE 5 th . SPEED C.S. / CONO EMBRAGUE DEL ENGRANE DE 5 ^a . T.E	1

TRANSMISSION MODEL TR-3650, 5 SPEED REPAIR KITS
JUEGOS DE REPARACION PARA CAJAS DE 5 VELOCIDADES MODELO TR-3650

NUMBER	COMPONENT	DESCRIPTION	QTY.
TCKT1738	SNAP RING AND SMALL PARTS KIT/ JUEGO DE SEGUROS Y PARTES PEQUEÑAS		
	2604502	SNAP RING GEAR SPEEDOMETER / SEGURO ENGRANE VELOCIMETRO	1
	TCRA0656	THRUST BEARING / BALERO AXIAL	1
	TCMS0658	SNAP RING 2.30+/-0.05 MM /SEGURO	1
	TCMS0659	SNAP RING 2.40+/-0.05 MM /SEGURO	1
	TCMS0660	SNAP RING 2.50+/-0.05 MM /SEGURO	1
	TCMS0661	SNAP RING 2.60+/-0.05 MM /SEGURO	1
	TCMS0679	1 st . & 2 nd . SNAP RING HUB SYNCHRO / SEGURO MAZA SINCRONIZADO	1
	TCSP0722	SPACER ROLLER BRG GEAR REV. / ESPACIADOR DE BAL. RODILLO REV.	1
	TCSP0781	SPACER ROLLER BRG 5 th . C.S. / ESPACIADOR RODILLO BALERO T.E.	1
	TCRA1314	THRUST WASHER 3 rd . GEAR & REV. / ROLDANA DE EMPUJE 3 ^a . Y REV.	2
	TCMS1382	SNAP RING C.S. 2.40+/-0.05 MM /SEGURO	1
	TCMS1383	SNAP RING C.S. 2.50+/-0.05 MM /SEGURO	1
	TCMS1384	SNAP RING C.S. 2.60+/-0.05 MM /SEGURO	1
	TCMS1385	SNAP RING C.S. 2.30+/-0.05 MM /SEGURO	1
	TCRA1433	THRUST WASHER 5 th . GEAR C.S. / ROLDANA DE EMPUJE ENGR. 5 ^a . T.E.	1
	10J00006	BALL / ESFERA	3
	10J000008	BALL SPEEDOMETER / ESFERA DEL VELOCÍMETRO	1
	1386-139-001	SNAP RING / SEGURO	1
TCKT1739	SHIM KIT / JUEGO DE LAINAS		
	TCMS0695	SHIM, BEARING C.S. FRONT / LAINA DE AJUSTE TREN DE ENGRANES	1
	TCMS0696	SHIM, BEARING C.S. FRONT / LAINA DE AJUSTE TREN DE ENGRANES	1
	TCMS0697	SHIM, BEARING C.S. FRONT / LAINA DE AJUSTE TREN DE ENGRANES	1
	TCMS0698	SHIM, BEARING C.S. FRONT / LAINA DE AJUSTE TREN DE ENGRANES	1
	1386-037-005	BEARING SHIM 0.55+/-0.013 MM / LAINA DE AJUSTE F.M.	1
	1386-037-006	BEARING SHIM 0.61+/-0.013 MM / LAINA DE AJUSTE F.M.	1
	1386-037-007	BEARING SHIM 0.66+/-0.013 MM / LAINA DE AJUSTE F.M.	1
	1386-037-008	BEARING SHIM 0.71+/-0.013 MM / LAINA DE AJUSTE F.M.	1
	1386-037-009	BEARING SHIM 0.76+/-0.013 MM / LAINA DE AJUSTE F.M.	1
	1386-037-012	BEARING SHIM 0.86+/-0.013 MM / LAINA DE AJUSTE F.M.	1
	1386-037-016	BEARING SHIM 0.96+/-0.013 MM / LAINA DE AJUSTE F.M.	1
	1386-037-019	BEARING SHIM 1.04+/-0.013 MM / LAINA DE AJUSTE F.M.	1
TCKT1740	BEARING AND SEAL KIT / JUEGO DE BALEROS Y SELLOS		
	2605858	ROLLER BEARING SELECTOR ARM / BALERO LINEAL BARRA SELECT	2
	TCBA0653	BEARING INPUT SHAFT POCKET / BALERO DE RODILLOS F.M.	1
	TCBA0655	THRUST BEARING / BALERO AXIAL	1
	TCBA0699	BEARING CONE & CUP ASS'Y C.S. / CONJUNTO BALERO CONICO T.E.	1
	TCBA0715	ROLLER BEARING GEAR 5 th . C.S. / BALERO DE RODILLOS ENG. DE 5 ^a .	2
	TCBA0721	ROLLER BEARING GEAR REV. / BALERO DE RODILLOS ENG. DE REV.	2
	TCBA0776	BEARING CONE & CUP ASS'Y REAR C.S. / CONJ. BALERO CONICO T.E.	1
	TCSJ1277	OIL SEAL EXTENSION / SELLO DE ACEITE DE LA EXTENSION	1
	TCSJ1428	OIL SEAL BEARING RETAINER / SELLO DE ACEITE DEL RETEN BAL.	1
	TCBA1765	BEARING CONE & CUP ASS'Y M.S. / CONJUNTO BALERO CONICO F.P.	1
	1300-132-009	2 nd . & 3 rd . NEEDLE BEARING ASS'Y / CONJUNTO RODILLO BALERO	1
	1300-133-005	BEARING TAPERED ROLLER CUP / TAZA BALERO CONICO F.M.	1
	1300-133-006	BEARING TAPERED ROLLER CONE / CONO BALERO CONICO F.M.	1
TCKT1742	MINOR OVERHAUL KIT / JUEGO DE REPARACIÓN MENOR		
	TCKT1738	SNAP RING AND SMALL PARTS KIT / JGO. DE SEGUROS Y P. PEQUEÑAS	1
	TCKT1740	BEARING AND SEAL KIT / JUEGO DE BALEROS Y SELLOS	1
2670644	ELIMINADOR DE JUNTAS / GASKET ELIMINATOR KIT		1

