



TRANSMISSION SPECIFICATIONS

SHIFT LEVER CONTROL

ASSEMBLY NO.

002227

BILL OF MATERIAL NO.

3918

FOR USE WITH REMOTE CONTROL TRANSMISSIONS

SHIFT LEVER CONTROL

For Use With Remote Control Transmissions

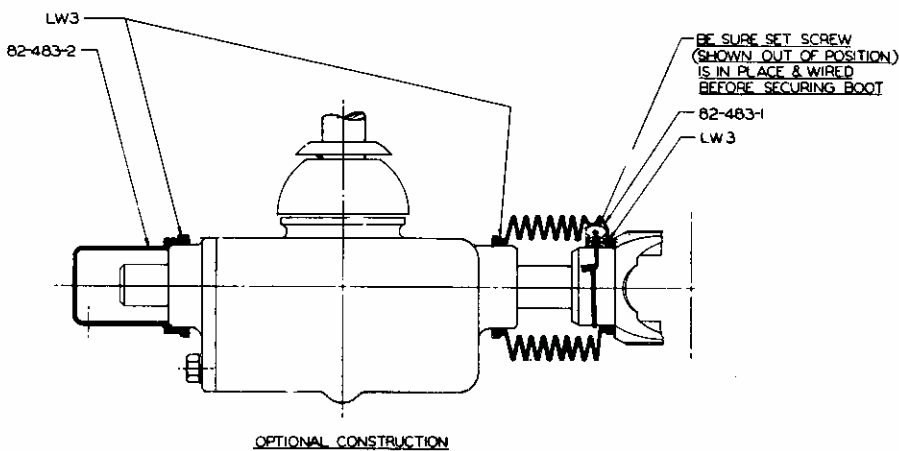
Assembly 002227 is used with 3000, 5000, 6000 & 8000 series, CM40, CM50, CM55, CM60 & SST transmissions. (Shift lever, Length $38\frac{1}{8}"$, $30\frac{5}{8}"$, $28\frac{1}{8}"$, $23\frac{7}{8}"$.) Special Levers requiring different lengths or bends furnished at additional cost.

MOUNTING

Customer should specify which side the control mounting pad is to be assembled. Assembly shows right hand mounting.

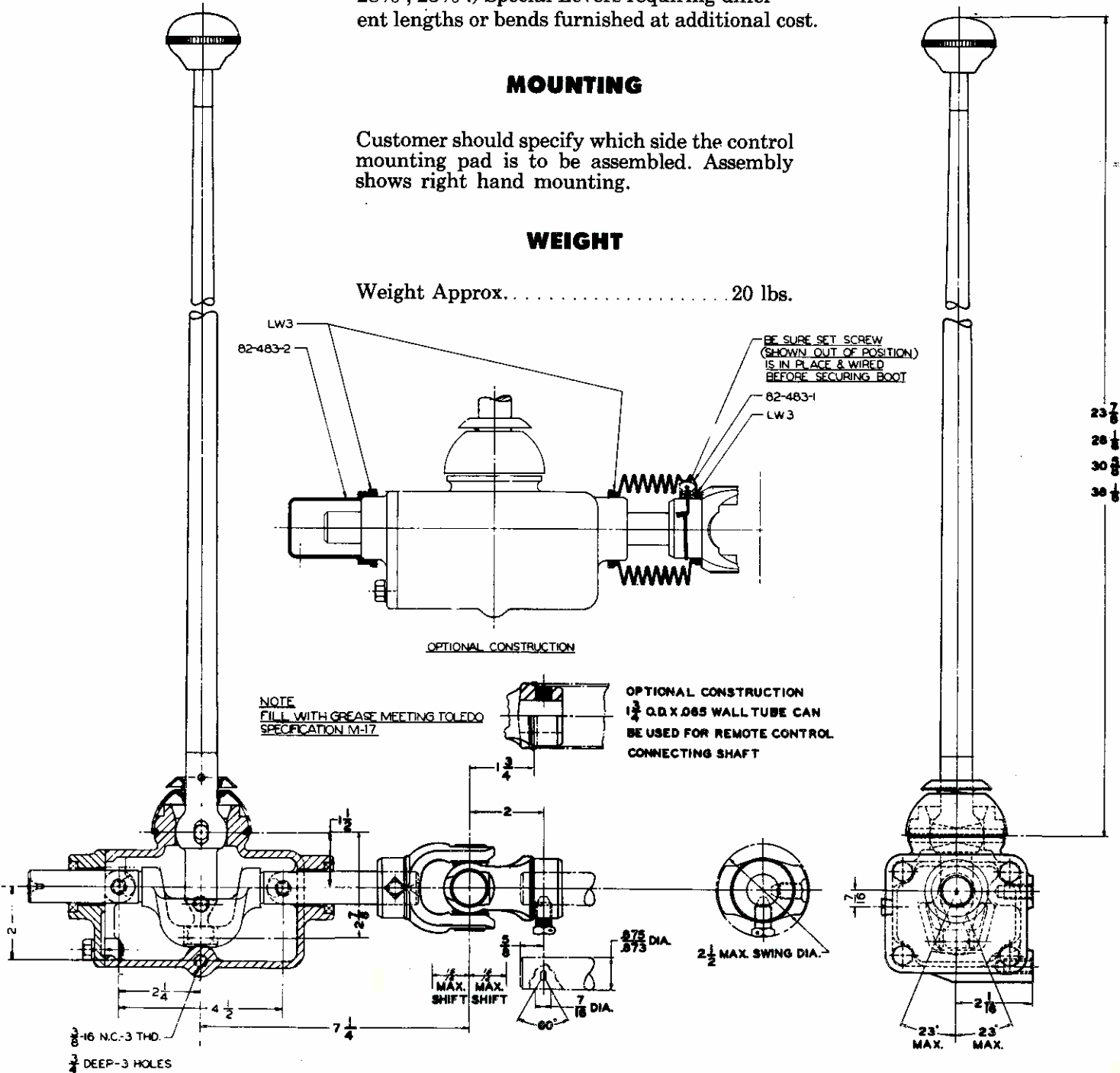
WEIGHT

Weight Approx. 20 lbs.

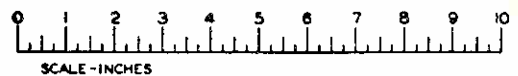


NOTE
FILL WITH GREASE MEETING TOLEDO SPECIFICATION M-17

OPTIONAL CONSTRUCTION
 $1\frac{1}{2}$ O.D. X .065 WALL TUBE CAN BE USED FOR REMOTE CONTROL CONNECTING SHAFT



PRINTED IN U.S.A.





14700 Helm Court
Plymouth, MI 48170
(800) 401-9866 or (734) 456-3770
Fax: (734) 456-3739
www.ttcautomotive.com

