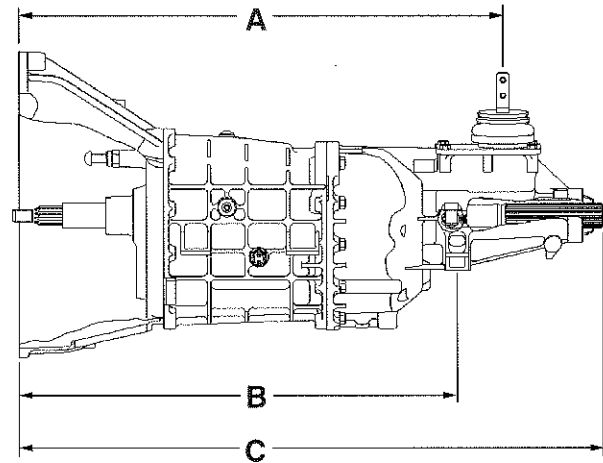




# INSTALLATION DIMENSIONS

## TREMEC T45



Dimensional data shown in millimeters

APPLICATION	MODEL #	A	B	C
Mustang GT	1381-000-001	689.0	624.2	832.3
Mustang Cobra	1381-000-002	689.0	722.1	832.3
'99 MY Mustang GT/Cobra	1381-000-011	689.0	624.2	832.3

MODEL	TORQUE RANGE (lb. ft.)	DRY WEIGHT lbs.	SPLINE DATA		GEAR RATIO CHART						
			Input	Output	1st	2nd	3rd	4th	5th	6th	Rev
1381-000-001	325 lb. ft.	109 lbs.	10T	31T	3.37	1.99	1.33	1.00	.67	N/A	3.22
1381-000-002	325 lb. ft.	109 lbs.	10T	31T	3.37	1.99	1.33	1.00	.67	N/A	3.22
1381-000-011	325 lb. ft.	109 lbs.	10T	31T	3.37	1.99	1.33	1.00	.67	N/A	3.22

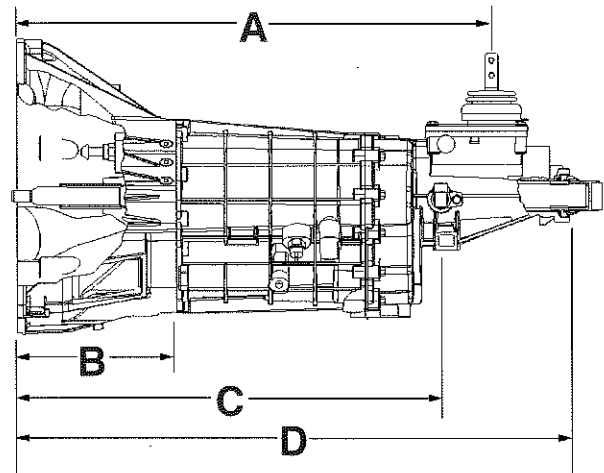
Features and Benefits:	
Five speed application	4.6L Mustang applications, GT and Cobra
Overdrive - fifth speed	Provides extended ratio coverage
Aluminum die cast housings	Lightweight, durable construction
Internal, single rail shift system	Enhanced shift feel, improved durability
Tapered roller bearings on shafts	Reduced noise and improved durability
Constant mesh, double disconnect reverse	Positive engagement, improved reverse durability, reduced noise, improved shiftability in forward
Integral clutch housing w/front cover end-loading design, optimized fastener size/spacing	Increased driveline bending strength
Leak paths reduced	Enhanced customer satisfaction
Overdrive synchronizers placed on countershaft	Lower shift effort and reduced noise
Advanced synchronizer technology - ◆ Powered steel formed blocker rings ◆ Organic friction material ◆ Double cone design ◆ Patented strut-type design	Consistency, high quality Improved durability Lower shift effort Improved durability

For more information contact 1-800-401-9866 or [www.ttcautomotive.com](http://www.ttcautomotive.com)



# INSTALLATION DIMENSIONS

## TREMEC TR-3650



Dimensional data shown in millimeters

MODEL #	A	B	C	D
TR-3650	689.0	230.0	623.0	802.0

MODEL	TORQUE RANGE (lb. ft.)	DRY WEIGHT lbs.	SPLINE DATA		GEAR RATIO CHART						
			Input	Output	1st	2nd	3rd	4th	5th	6th	Rev
TR-3650	360 lb. ft.	120 lbs.	10T	31T	3.38	2.00	1.32	1.00	.67	N/A	3.38

### Features and Benefits:

Two-wheel drive	
Five speed application with overdrive	Applicable for a wide range of passenger car and compact utility vehicles
Advanced synchronizer design	Enhanced shifting and improved durability
Optimized multi-rail shift linkage	Improved durability
Improved shifter design	Enhanced isolation
Constant mesh synchronized reverse	
End-load design with integral clutch housing	Improved structure

For more information contact 1-800-401-9866 or [www.ttcautomotive.com](http://www.ttcautomotive.com)